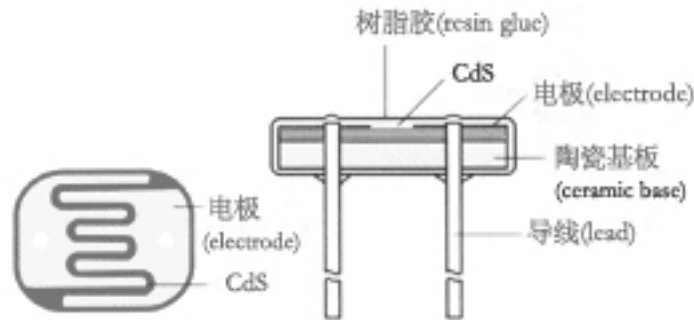


## D57Series Photoresistor

## Schematic Drawing



## Performances and Features

Coated with epoxy

Small volume

Quick response

Good reliability

High sensitivity

Good spectrum characteristic

## Typical Applications

Camera automation photometry

Indoor sunlight control

Industrial control

Optical control lamp

Photoelectric control

Annunciator

Optical control switch

Electronic toy

## Standard Type and Specifications

Specification	Type	Maximum Voltage	Maximum power	Environmental temperature	Spectrum peak value
D57 series	D5717	150	90	-30~+70	540
	D5727	150	100	-30~+70	540
	D5738-1	150	100	-30~+70	540
	D5738-2	150	100	-30~+70	540
	D5739	150	100	-30~+70	540
	D5749	150	100	-30~+70	540

Specification	Light resistance (10Lux) (K $\Omega$ )	Dark resistance (M $\Omega$ )	$\gamma_{10}^{100}$	Response time (ms)		Illuminance resistance characteristic
				Increase	Decrease	
D57 series	5-10	0.5	0.5	30	30	2
	10-20	1	0.6	20	30	3
	20-30	2	0.6	20	30	4
	30-50	3	0.7	20	30	4
	50-100	5	0.8	20	30	5
	100-200	10	0.9	20	30	6

### Testing Conditions

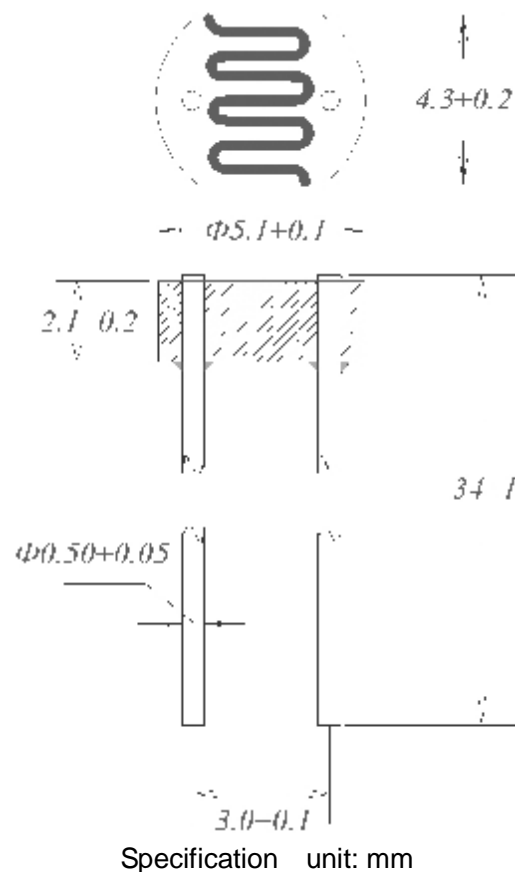
**Max external voltage:** Maximum voltage to be continuously given to component in the dark.

**Max power consumption:** Maximum power at the environmental temperature 25°C.

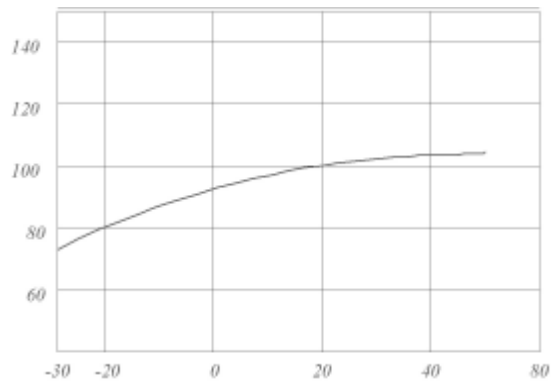
**Light resistance** Irradiate by 400-600Lux light for two hours, then test with 10Lux under standard light source A(as colour temperature 2856K)

**Dark resistance** Refer to the resistance value ten seconds after the 10Lux light is shut up.

### Main Characteristics Curve and Dimensions



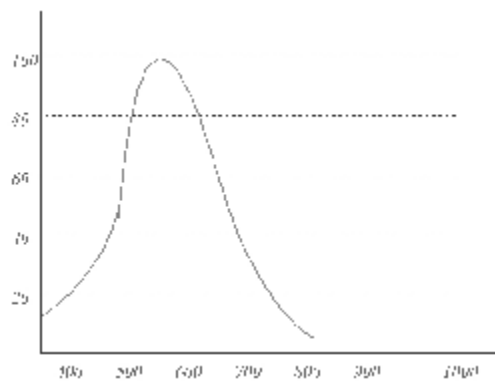
Relative Resistance (%)



Temperature (°C)

Temperature-Property

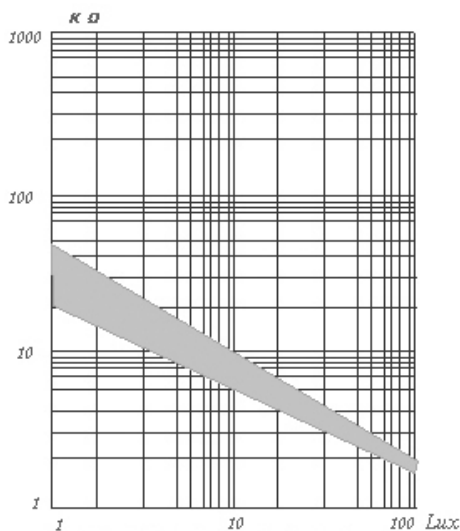
Relative Response (%)



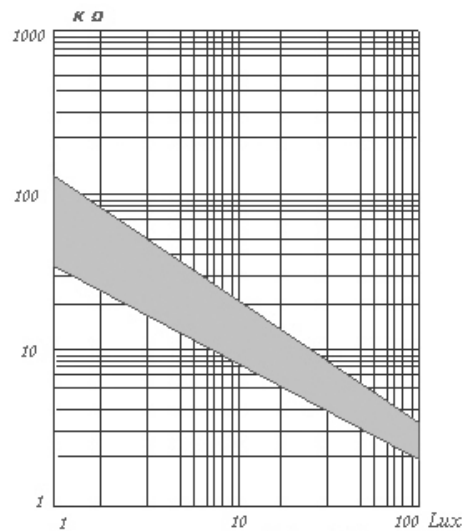
Wavelength λ (nm)

Spectrum Response Characteristic

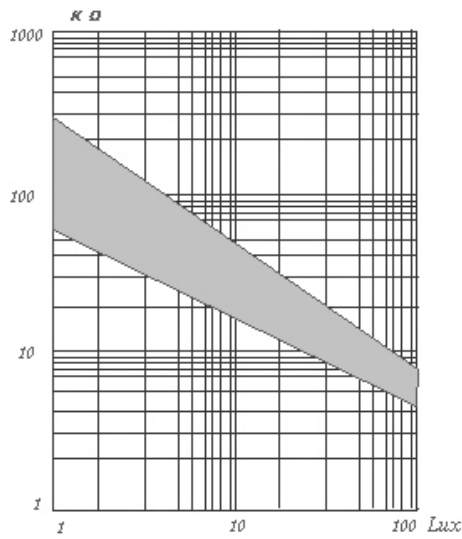
**Illuminance-Resistance Characteristics Curve**



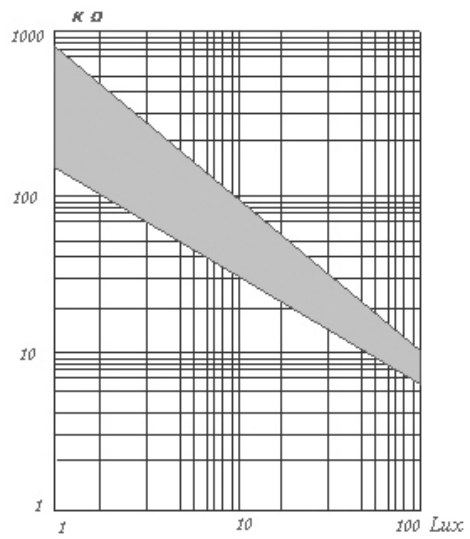
Illuminance –Resistance Curve



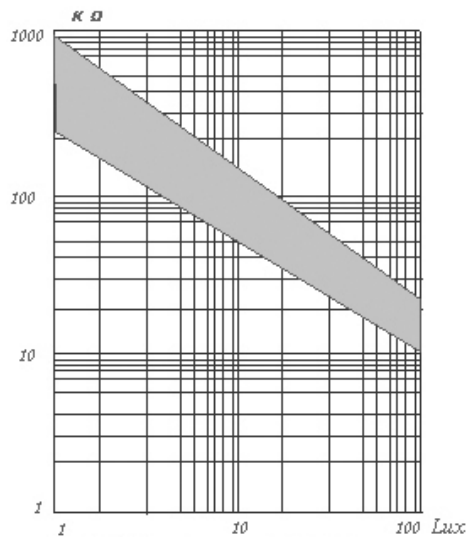
Illuminance –Resistance Curve



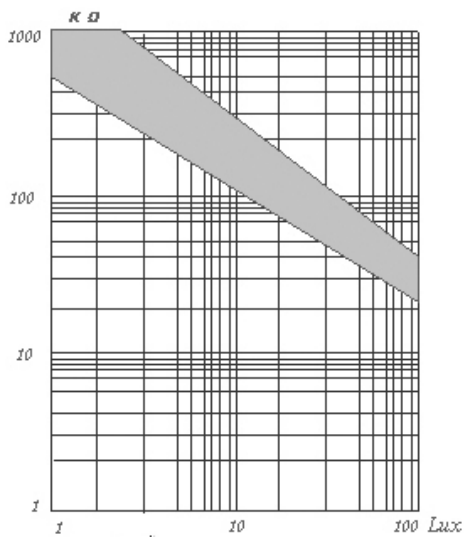
Illuminance –Resistance Curve



Illuminance –Resistance Curve



Illuminance –Resistance Curve



Illuminance –Resistance Curve

### Packaging and Notice

This product is packed with the environmental protection material, Small package have 100PCS, and big package have 1000PCS.

Avoid storing CdS in wet or high temperature environment.

Soldering time is as short as possible.

It is recommended that the welding length of the CdS's down-lead should not be less than 4mm.